



For over two decades of positive growth, our experience has led us to believe, that every journey requires constant attention and care, to achieve Optimum Performance, Reliability and Continuous Customer Satisfaction.

At Gulf Radiator, our journey starts with listening carefully to our clients; that is why we have honed an unrelenting ability to understand and gauge the needs of a diverse client base.

As a result, Gulf Radiator has so far been able to skillfully craft Over 2,000 Models of Aluminium & Copper/Brass Radiators for Passenger Vehicles, Trucks, Tractors and Heavy Duty Equipment.

To manufacture such a wide variety of products with an annual capacity of 300,000 Units, our factories operate some of the world's largest and most Sophisticated Modern Machinery, manned by a team of Highly Qualified Technicians and Industry-Savvy Engineers.

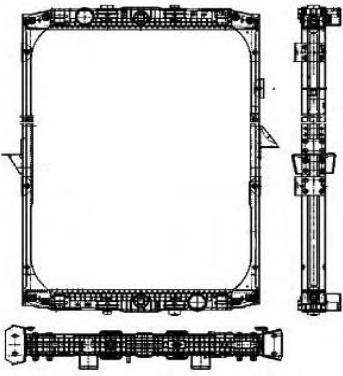
Like every Gulf Radiator value, caring for our employees is a crucial ingredient in our recipe for success. Modern technology with its peak performance capabilities is operated by the skilled hands of a labor force that brings to the table much more than just manual work. Their capabilities match our group's aspirations, allowing our customers in Over 25 Countries Worldwide to experience our products like never before.

INDEX

DAF	03
IVECO	06
MAN	09
MERCEDES-BENZ	11
RENAULT	16
SCANIA	19
VOLVO	20

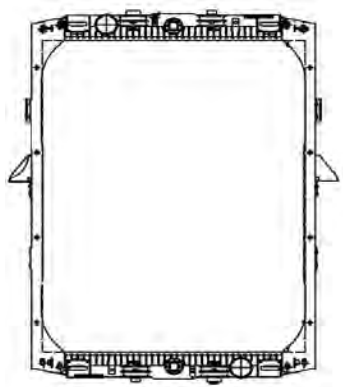
HD TRUCK RADIATORS TO FIT DAF MODELS

IMS 2272



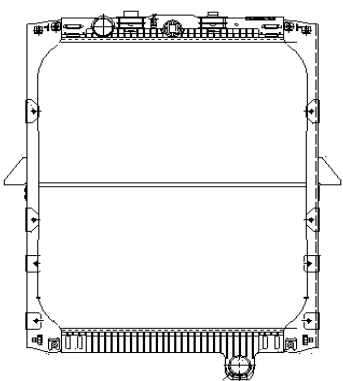
DAF	F95 / XF95	[MT]	A/P
Core Size	: 1067 X 748 X 48mm		
OEM Ref.	: 1326966 / 1617340/ 469877		
Nissens	: 61417A	Year	1997-2002

IMS 3257



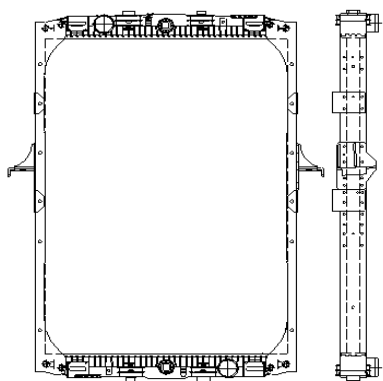
DAF	F95	[MT]	A/P
Core Size	: 970 X 748 X 48mm		
OEM Ref.	: 0076449/ 1617342/ 0393435		
Nissens	: 61419A	Year	1987-1994

IMS 3258



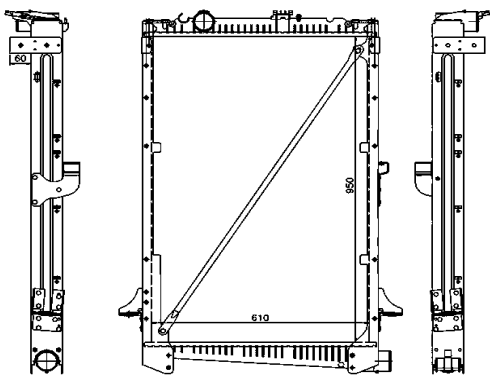
DAF	F95	[MT]	A/P
Core Size	: 870 X 748 X 48mm		
OEM Ref.	: 393433/ 393439/ 393434		
Nissens	: 61423	Year	1987-1998

IMS 3260



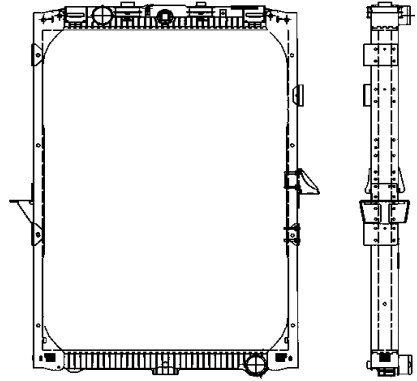
DAF	F 95	[MT]	A/P
Core Size	: 1067 X 748 X 48mm		
OEM Ref.	: 1303187/ 1858770		
Nissens	: 61418A	Year	1987-1998

IMS 6261



DAF	CF85 / VF85	[MT]	A/P
Core Size	: 950 X 610 X 56mm		
OEM Ref.	: 1434917/ 1627415/ 1371372		
Nissens	: 61442A	Year	1998-2006

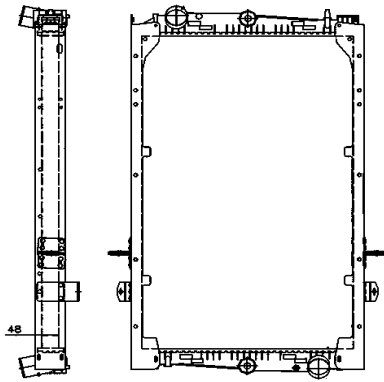
IMS 10212



DAF	XF 105	[MT]	A/P
Core Size	: 1067 X 748 X 48mm		
OEM Ref.	: 1739550/ 1674136/1861737		
Nissens	: 61447	Year	2005

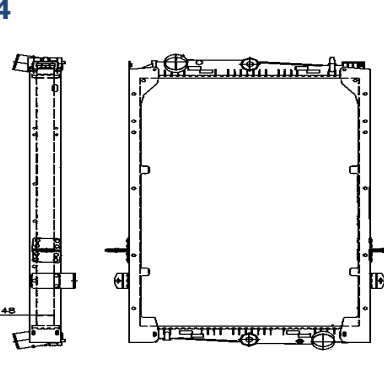
HD TRUCK RADIATORS TO FIT DAF MODELS

IMS 10213



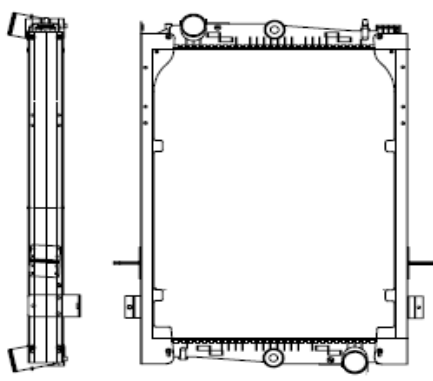
DAF	CF85	[MT]	A/P
Core Size	: 1000 X 610 X 56mm		
OEM Ref.	: 1628623/ 1432145/ 1327920		
Nissens	: 61446A	Year	1998

IMS 10214



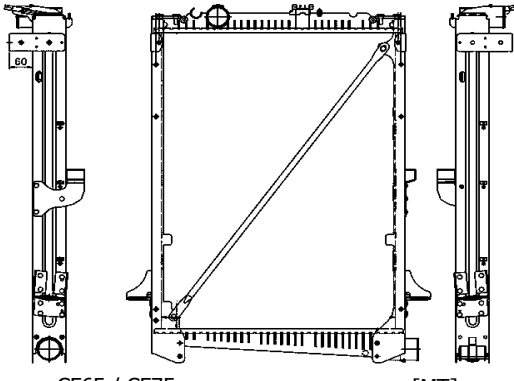
DAF	F85	[MT]	A/P
Core Size	: 908 X 610 X 56mm		
OEM Ref.	: 1241583/1265520/1265522		
Nissens	: 61427A	Year	1992

IMS 10215



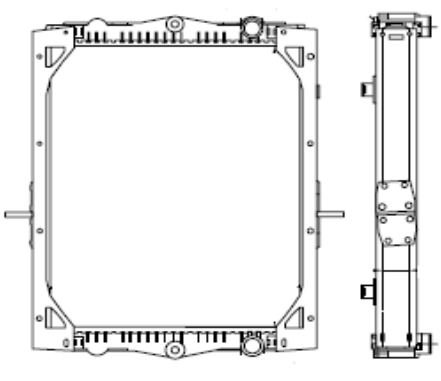
DAF	CF65 / CF85 / F65 / F75	[MT]	A/P
Core Size	: 806 X 610 X 56mm		
OEM Ref.	: 1241580/1281400/1628515		
Nissens	: 61440A	Year	1993-1998

IMS 10216



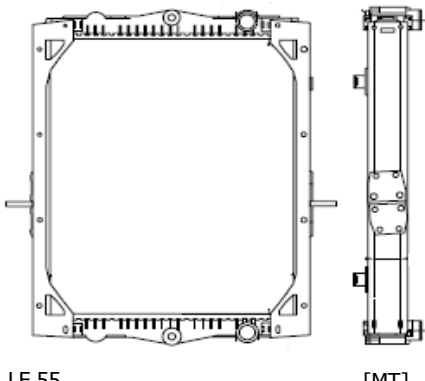
DAF	CF65 / CF75	[MT]	A/P
Core Size	: 852 X 610 X 56mm		
OEM Ref.	: 1434916/1627416		
Nissens	: 61441A	Year	1998-2006

IMS 10217



DAF	LF 55 / CF65	[MT]	A/P
Core Size	: 750 X 528 X 56mm		
OEM Ref.	: 1403169/1407723		
Nissens	: 61444A	Year	2001

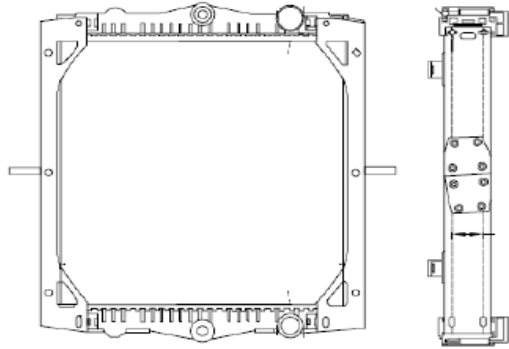
IMS 10218



DAF	LF 55	[MT]	A/P
Core Size	: 657 X 528 X 56mm		
OEM Ref.	: 1405176 / 1405722		
Nissens	: 61443A	Year	2001

HD TRUCK RADIATORS TO FIT DAF MODELS

IMS 10219



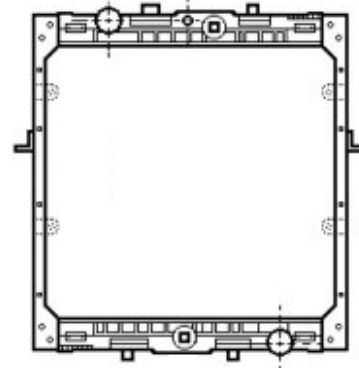
DAF LF 45 [MT] **A/P**

Core Size : 523 X 528 X 56mm

OEM Ref. : 1403273/1407721

Nissens : 61445A **Year** 2001-2006

IMS 3259



DAF 95 [MT] **A/P**

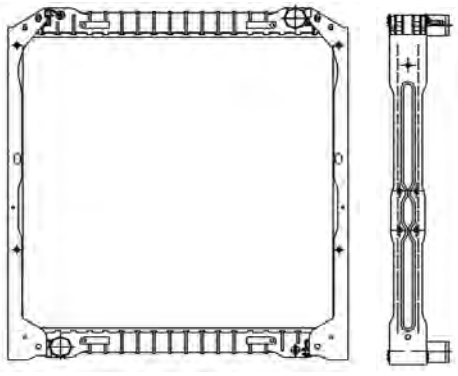
Core Size : 970 X 748 X 48mm

OEM Ref. : 0076449/0393435/1288560/1617342/1858768

Nissens : 61445A **Year** 94-97

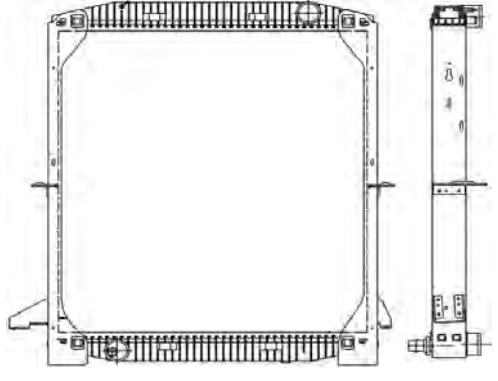
HD TRUCK RADIATORS TO FIT IVECO MODELS

IMS 3261



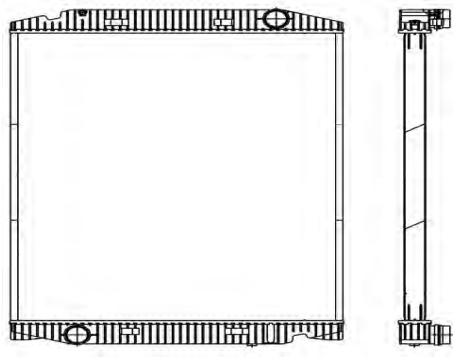
IVECO	EURO CARGO/Credo BUS	[MT]	A/P
Core Size	: 625 X 608 X 42mm		
OEM Ref.	: 98425703		
Nissens	: 62349A	Year	1991-2004

IMS 6260



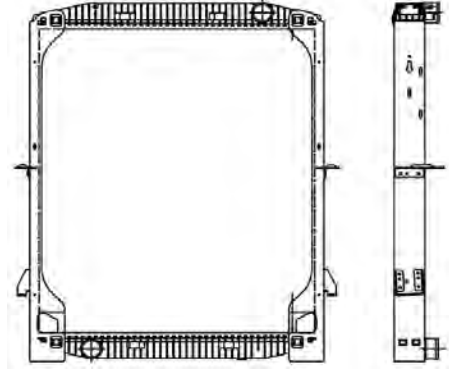
IVECO	EUROMOVER/EUROTRAKKER	[MT]	A/P
Core Size	: 800 X 740 X 42mm		
OEM Ref.	: 8139294/93160529		
Nissens	: 62343A	Year	1992-1995

IMS 6262



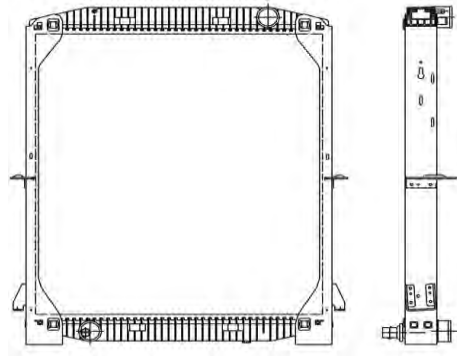
IVECO	STARLIS / EUROTRAKKER	[MT]	A/P
Core Size	: 800 X 748 X 48mm		
OEM Ref.	: 41218266		
Nissens	: 63330A	Year	1995-2000

IMS 6272



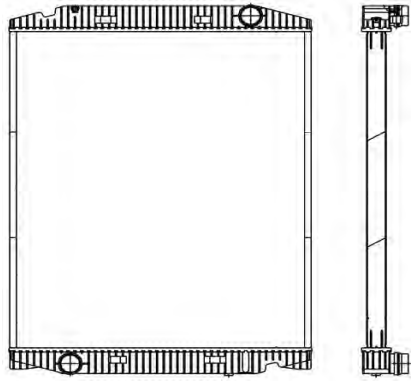
IVECO	EUROSTAR	[MT]	A/P
Core Size	: 900 X 748 X 40mm		
OEM Ref.	: 500326345 / 99488785 / 500348263		
Nissens	: 63334	Year	1999

IMS 6278



IVECO	EUROSTAR / EUROTECH	[MT]	A/P
Core Size	: 900 X 748 X 40mm		
OEM Ref.	: 93192910 / 500384262		
Nissens	: 61971A	Year	1995-1999

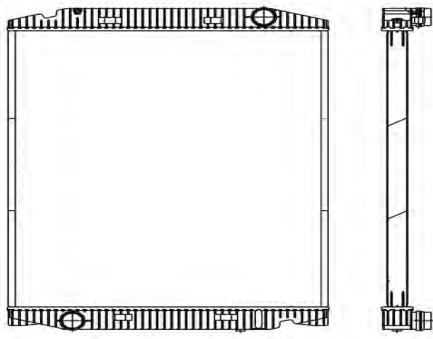
IMS 6279



IVECO	STARLIS	[MT]	A/P
Core Size	: 1122 X 748 X 48mm		
OEM Ref.	: 4124447		
Nissens	: 63329A	Year	2002

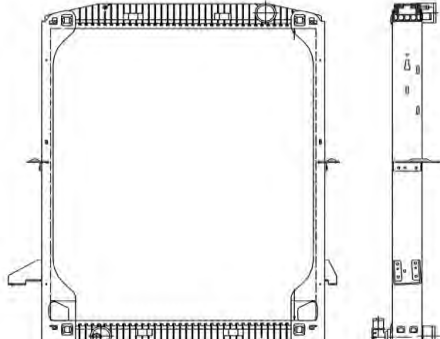
HD TRUCK RADIATORS TO FIT IVECO MODELS

IMS 10220



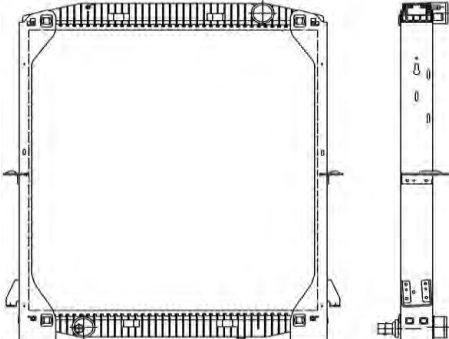
IVECO	STRALIS	[MT]	A/P
Core Size	: 900 X 748 X 48mm		
OEM Ref.	: 504011119		
Nissens	: 63331A	Year 2002	

IMS 10221



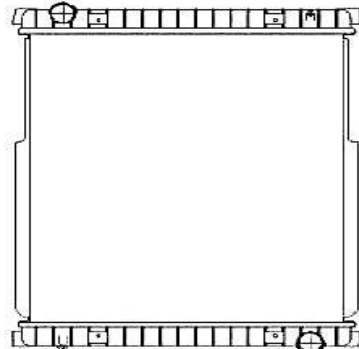
IVECO	EUROSTAR	[MT]	A/P
Core Size	: 900 X 748 X 40mm		
OEM Ref.	: 93 160 531		
Nissens	: 62342A	Year 1992-1995	

IMS 10223



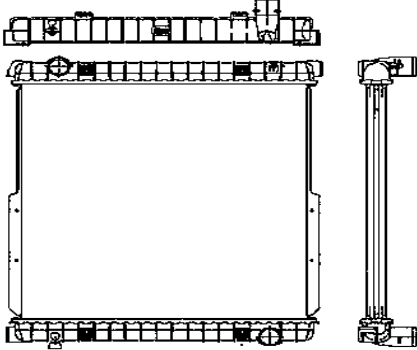
IVECO	EUROMOVER	[MT]	A/P
Core Size	: 800 X 748 X 40mm		
OEM Ref.	: 93 192 909		
Nissens	: 61973A	Year 1995	

IMS 10224



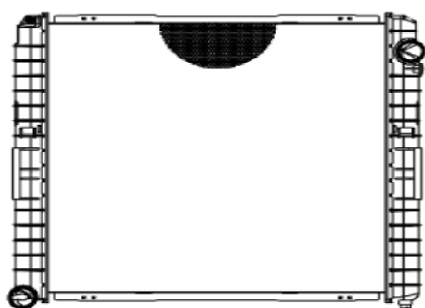
IVECO	EUROCARGO	[MT]	A/P
Core Size	: 640 X 569 X 40mm		
OEM Ref.	: 500361629		
Nissens	: 63332	Year 2000	

IMS 10225



IVECO	EUROCARGO	[MT]	A/P
Core Size	: 555 X 569 X 40mm		
OEM Ref.	: 504080547 / 500361626		
Nissens	: 63333	Year 2000	

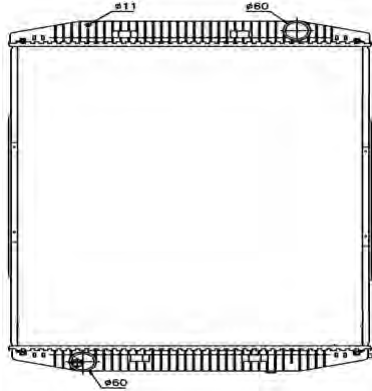
IMS 11247



IVECO	EUROCARGO	[MT]	A/P
Core Size	: 545 X 558 X 42mm		
OEM Ref.	: 100304810 / 98425619 / 98425628 / 98425657		
Nissens	: 62345A	Year 1991	

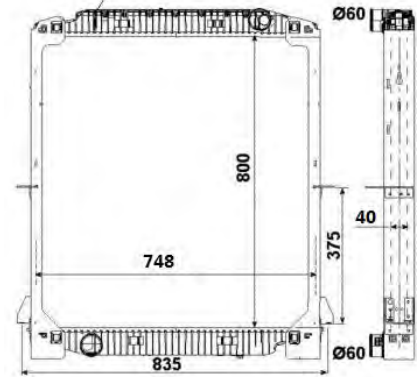
HD TRUCK RADIATORS TO FIT IVECO MODELS

IMS 6281



IVECO	ASTRA/HD8	[MT]	A/P
Core Size	:900 X 748 X 40mm		
OEM Ref.	: 93192910/500384262/99488785/500326345/42532035 92901655/92901792/503422583		
Nissens	:61971A	Year	95

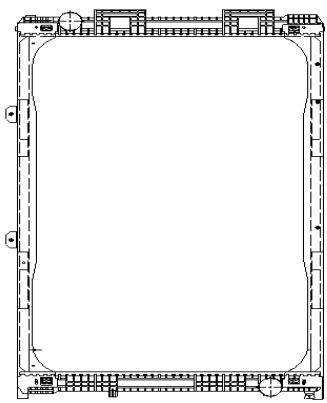
IMS 10222



IVECO	EUROTRAKKER	[MT]	A/P
Core Size	:800 X 748 X 40mm		
OEM Ref.	: 99463232/99463230/500348318		
Nissens	:61974	Year	92

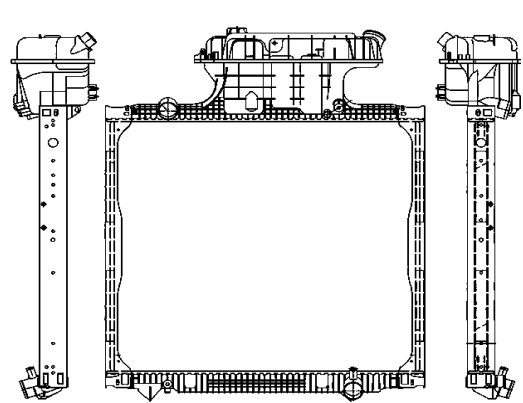
HD TRUCK RADIATORS TO FIT MAN MODELS

IMS 2251



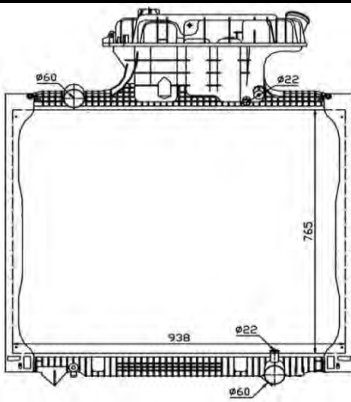
MAN	F2000	[MT]	A/P
Core Size	: 945 X 708 X 42mm		
OEM Ref.	: 81.06101.6407/81.06101.6423		
Nissens	: 628700	Year	1994

IMS 4279



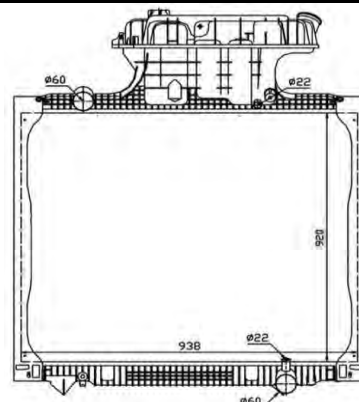
MAN	TG-A	[MT]	A/P
Core Size	: 845 X 938 X 48mm		
OEM Ref.	: 81061016482/81061016511		
Nissens	: 67225	Year	2002

IMS 5244



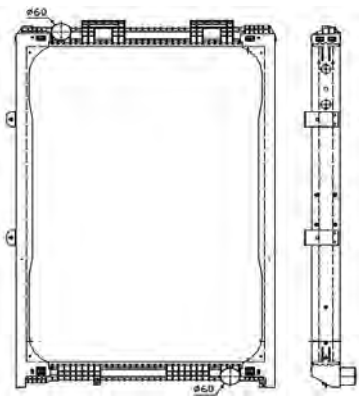
MAN	TG-A	[MT]	A/P
Core Size	: 765 X 938 X 48mm		
OEM Ref.	: 81061016472		
Nissens	: 62875	Year	2002

IMS 6222



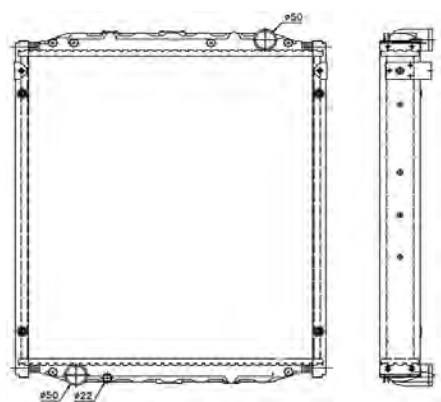
MAN	TG-A	[MT]	A/P
Core Size	: 920 X 938 X 48mm		
OEM Ref.	: 81.06101.6512/81.06101.6459/81.06101.6462		
Nissens	: 62873	Year	2002

IMS 10226



MAN	F 2000	[MT]	A/P
Core Size	: 1065 X 708 X 42mm		
OEM Ref.	: 81.06101.6421/81.06101.6439/81.06101.6440		
Nissens	: 62872A	Year	1994

IMS 10227



MAN	L 2000	[MT]	A/P
Core Size	: 705 X 610 X 56mm		
OEM Ref.	: 81.06101.6466/85.06101.6007		
Nissens	: 67220A	Year	1993

HD TRUCK RADIATORS TO FIT MAN MODELS

IMS 10228

MAN	M 2000 / M 90	[MT]	A/P
Core Size	: 705 X 610 X 56mm		
OEM Ref.	: 81.06101.6326/81.06101.6371/81.06101.6380		
Nissens	: 628780	Year	1995

IMS 10229

MAN	L 2000	[MT]	A/P
Core Size	: 594 X 610 X 56mm		
OEM Ref.	: 85.06101.6010/85.06101.9010/81.06101.6324		
Nissens	: 62877A	Year	1993

IMS 10230

MAN	EL/ NG / EM/ ÜL	[MT]	A/P
Core Size	: 810 X 708 X 48mm		
OEM Ref.	: 81061016500/81061016501		
Nissens	: 67218	Year	1996

IMS 11248

MAN	L 2000	[MT]	A/P
Core Size	: 654 X 614 X 58mm		
OEM Ref.	: 81061016002/ 81061016443		
Nissens	: 62876A	Year	1993

IMS 11249

MAN	ÜL	[MT]	A/P
Core Size	: 945 X 700 X 50mm		
OEM Ref.	: 81061016487		
Nissens	: 67195	Year	1996

IMS 3299

MAN	F2000	[MT]	A/P
Core Size	: 1065 X 708 X 42mm		
OEM Ref.	: 81.06101.6407/81.06101.6423/81.06101.6438		
Nissens	: 62870A	Year	94-2000

HD TRUCK RADIATORS TO FIT MERCEDES MODELS

IMS 2252

MERCEDES	ACTROS 1843	[AT]	A/P
Core Size	: 820 X 830 X 48mm		
OEM Ref.	: 9425000903 / 9425001503		
Nissens	: 62652A	Year	1996

IMS 2253

MERCEDES	ACTROS 1843	[AT]	A/P
Core Size	: 910 X 830 X 48mm		
OEM Ref.	: 9425001003 / 9425001603		
Nissens	: 62653A	Year	1996

IMS 2254

MERCEDES	ACTROS 1843/ 1833 / 2633	[AT]	A/P
Core Size	: 960 X 830 X 48mm		
OEM Ref.	: 9425001703 / 9425001103		
Nissens	: 62649A	Year	1996

IMS 2255

MERCEDES	ACTROS 1843	[AT]	A/P
Core Size	: 1020 X 830 X 48mm		
OEM Ref.	: 9425001203/9425002303/9425002803		
Nissens	: 62791A	Year	1996

IMS 3262

MERCEDES	ATEGO	[MT]	A/P
Core Size	: 815 X 668 X 42mm		
OEM Ref.	: 9405000403		
Nissens	: 62648	Year	97

IMS 4231

MERCEDES	L.B / NG 90	[AT]	A/P
Core Size	: 810 X 648 X 56mm		
OEM Ref.	: 6525012401/6525012501/6524014101		
Nissens	: 62646A	Year	1987

HD TRUCK RADIATORS TO FIT MERCEDES MODELS

IMS 4232

MERCEDES	L.B / NG 90	[AT]	A/P
Core Size	: 730 X 648 X 56mm		
OEM Ref.	: 6525014401/6525014501/6525014401		
Nissens	: 62643A	Year	1987

IMS 6221

MERCEDES	L.B 85 / NG 90	[AT]	A/P
Core Size	: 850 X 648 X 56mm		
OEM Ref.	: 652 500 70 01/652 501 49 01/652 501 67 01		
Nissens	: 62657A	Year	1987

IMS 6267

MERCEDES	Bus MCV C120	[MT]	A/P
Core Size	: 672 X 648 X 48mm		
OEM Ref.	: A3825000102		
Nissens	:	Year	

IMS 6268

MERCEDES	Bus MCV 600	[MT]	A/P
Core Size	: 925 X 648 X 48mm		
OEM Ref.	: A6345000102KZ		
Nissens	:	Year	

IMS 6289

MERCEDES	ATEGO	[MT]	A/P
Core Size	: 570 X 560 X 42mm		
OEM Ref.	: 9705000403/9705000503		
Nissens	: 62794A	Year	1997

IMS 10231

MERCEDES	OH1318	[MT]	A/P
Core Size	: 648 X 648 X 48mm		
OEM Ref.	: A3825010001		
Nissens	:	Year	2001-2008

HD TRUCK RADIATORS TO FIT MERCEDES MODELS

IMS 10232

MERCEDES	NG 90	[MT]	A/P
Core Size	: 665 X 648 X 48mm		
OEM Ref.	: 655 500 00 03/A6555000003		
Nissens	: 62523A	Year	1987

IMS 10234

MERCEDES	AXOR	[AT]	A/P
Core Size	: 975 X 668 X 40mm		
OEM Ref.	: 940 500 07 03/9405000603/9405001803		
Nissens	: 62571A	Year	2002

IMS 11242

MERCEDES	CONNECTO / TOURISMO	[MT]	A/P
Core Size	: 1020 X 808 X 50mm		
OEM Ref.	: 6285000502/ 6285001499/ 6285001599		
Nissens	: 67165	Year	1998

IMS 11243

MERCEDES	Econic	[MT]	A/P
Core Size	: 666 X 636 X 58mm		
OEM Ref.	: 9575000103		
Nissens	: 625502	Year	1998

IMS 11244

MERCEDES	C457 Truck /Auwarter Bus	[MT]	A/P
Core Size	: 960 X 658 X 48mm		
OEM Ref.	: 32109920 / 11009035 /36061016022		
Nissens	: 69604A	Year	1996-2000

IMS 11245

MERCEDES	NG 90	[MT]	A/P
Core Size	: 732 X 647 X 58mm		
OEM Ref.	: 6525015101/6525015201/6525016401		
Nissens	: 62639A	Year	1987

HD TRUCK RADIATORS TO FIT MERCEDES MODELS

IMS 11246

MERCEDES	KASSBOHRER BUS	[MT]	A/P
Core Size	: 850 X 658 X 56mm		
OEM Ref.	: 83511782910/83511780000		
Nissens	: 69600A	Year 2000	

IMS 3222

MERCEDES	ACTROS 1843	[MT]	A/P
Core Size	: 960 X 830 X 48mm		
OEM Ref.	: 9425003103/942 500 11 03/942 500 17 03 : 942 500 31 03/942 500 32 03/9425003303		
Nissens	: 62649	Year 96	

IMS 3223

MERCEDES	ACTROS 1843	[MT]	A/P
Core Size	: 1020 X 830 X 48mm		
OEM Ref.	: 9425002803 / 942 500 12 03 / 942 500 23 03 : 942 500 28 03 / 942 500 29 03		
Nissens	: 62791A	Year 96	

IMS 10233

MERCEDES	NG 90	[AT]	A/P
Core Size	: 730 X 648 X 48mm		
OEM Ref.	: 652 501 47 01 / 652 501 48 01 /A6525014701 A6525014801		
Nissens	: 62644A	Year 87	

IMS 6268-E

MERCEDES	BUS 0-500	[MT]	A/P
Core Size	: 925 X 648 X 68mm		
OEM Ref.	: A6345000102KZ/A6345010201KZ/A6345010001KZ		
Nissens	:	Year 96	

IMS 12531

MERCEDES	Actros MP4	[MT]	A/P
Core Size	: 1060 X 968 X 56mm		
OEM Ref.	: 9605000901 / 9605002501		
Nissens	: 67176	Year 2011 -	

HD TRUCK RADIATORS TO FIT MERCEDES MODELS

IMS 12532

MERCEDES	Actros MP4	[MT]	A/P
Core Size	: 719 X 968 X 56mm		
OEM Ref.	: 9605002801		
Nissens	: 627002	Year 2011-	

IMS 12533

MERCEDES	Actros MP4	[MT]	A/P
Core Size	: 895 X 968 X 56mm		
OEM Ref.	: 9605002601		
Nissens	: 67191	Year 2011-	

IMS 12593

MERCEDES	Actros MP4	[MT]	A/P
Core Size	: 898 X 980 X 56mm		
OEM Ref.	: 9605000801		
Nissens	: 67175	Year 2011-	

IMS 12600-XB

MERCEDES	Actross MP4	[MT]	A/P
Core Size	: 900 X 968 X 56mm		
OEM Ref.	: 9605003601		
Nissens	:	Year 2011-	

IMS 12602-SB

MERCEDES	Actros MP4	[MT]	A/P
Core Size	: 765 X 968 X 56mm		
OEM Ref.	: 9605003401		
Nissens	: 67178	Year 2011-	

IMS 12603-XB

MERCEDES	ATEGO	[MT]	A/P
Core Size	: 570 X 288 X 42mm		
OEM Ref.	: 9735000903		
Nissens	: 67172	Year 1998-2004	

HD TRUCK RADIATORS TO FIT RENAULT MODELS

IMS 3266

RENAULT	RVI PREMIUM / KERAX	[MT]	A/P
Core Size	: 825 X 698 X 42mm		
OEM Ref.	: 5010230484		
Nissens	: 63849A	Year	1996

IMS 3267

RENAULT	RVI PREMIUM / KERAX	[MT]	A/P
Core Size	: 915 X 698 X 42mm		
OEM Ref.	: 50 01 837 210/50 01 837 212		
Nissens	: 63848A	Year	1996

IMS 6271

RENAULT	PREMIUM	[MT]	A/P
Core Size	: 970 X 689 X 42mm		
OEM Ref.	: 50 01 856 788/50 01 856 789/50 01 856 790		
Nissens	: 67244A	Year	2000

IMS 6282

RENAULT	KERAX / PREMIUM	[MT]	A/P
Core Size	: 991 X 708 X 48mm		
OEM Ref.	: 7420775792/7485013126/7485013127		
Nissens	: 63785	Year	2005

IMS 10235

RENAULT	KERAX	[MT]	A/P
Core Size	: 900 X 708 X 40mm		
OEM Ref.	: 50 01 859 137/50 01 859 150/50 01 859 151		
Nissens	: 63788A	Year	1997

IMS 10236

RENAULT	PREMIUM	[MT]	A/P
Core Size	: 810 X 708 X 40mm		
OEM Ref.	: 50 01 839 113/50 01 859 152/50 01 859 154		
Nissens	: 63789A	Year	1996-2000

HD TRUCK RADIATORS TO FIT RENAULT MODELS

IMS 10237

RENAULT	MAGNUM	[MT]	A/P
Core Size	: 977 X 689 X 48mm		
OEM Ref.	: 50 01 848 515/50 01 848 517/50 01 856 528		
Nissens	: 63775A	Year	1996-2005

IMS 10238

RENAULT	PREMIUM / KERAX	[MT]	A/P
Core Size	: 915 X 689 X 48mm		
OEM Ref.	: 5001847568/ 5001847569/ 5001847600		
Nissens	: 63821A	Year	1996-1997

IMS 10239

RENAULT	PREMIUM / KERAX	[MT]	A/P
Core Size	: 826 X 689 X 48mm		
OEM Ref.	: 50 01 847 508/50 01 847 565/50 01 856 529		
Nissens	: 63822A	Year	1996-2000

IMS 10242

RENAULT	KERAX	[MT]	A/P
Core Size	: 968 X 708 X 48mm		
OEM Ref.	: 7420 809 878/5001 867 855		
Nissens	: 63786	Year	2005

IMS 10243

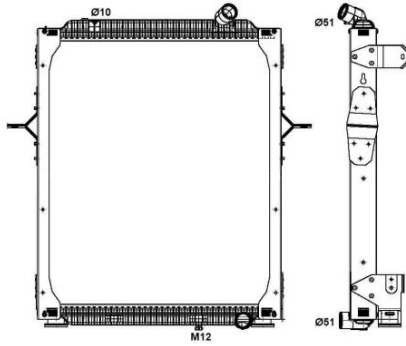
RENAULT	MAGNUM	[MT]	A/P
Core Size	: 1020 X 708 X 48mm		
OEM Ref.	: 50 01 866 280/50 10 619 446		
Nissens	: 63778A	Year	2005

IMS 5252

RENAULT	D22 2.5 TD	[MT]	A/P
Core Size	: 967 X 708 X 48mm		
OEM Ref.	: 5010315843/D98444/5001858491		
Nissens	:	Year	1995

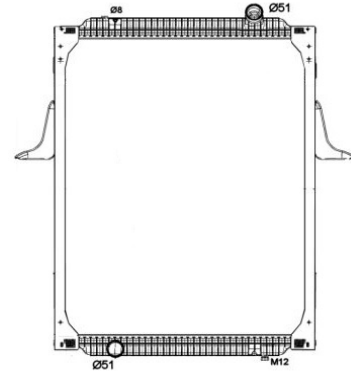
HD TRUCK RADIATORS TO FIT RENAULT MODELS

IMS 12237



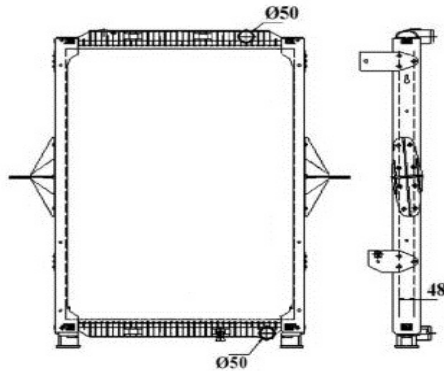
RENAULT	Premium 2 Distribution 370.18 D	[MT]	A/P
Core Size	: 810 X 689 X 48mm		
OEM Ref.	: 50 10 619 804 / 50 01 873 681 / 50 01 868 516		
Nissens	: Year 2005-2006		

IMS 12238



RENAULT	Kerax 385.18	[MT]	A/P
Core Size	: 900 X 689 X 40 mm		
OEM Ref.	: 5010315736/50 01 859 137/50 01 859 150		
Nissens	: Year 1997		

IMS 12239



RENAULT	Magnum DXi 12 440.18	[MT]	A/P
Core Size	: 1020 X 708 X 48mm		
OEM Ref.	: 5010619446/50 01 866 280		
Nissens	: Year 2006		

HD TRUCK RADIATORS TO FIT SCANIA MODELS

IMS 2203

SCANIA	4-SERIES	[MT]	A/P
Core Size	: 860 X 964 X 42mm		
OEM Ref.	: 1408881/1327249/1397435		
Nissens	: 64069A	Year	1995

IMS 3263

SCANIA	R-SERIES / T-SERIES	[MT]	A/P
Core Size	: 860 X 998 X 36mm		
OEM Ref.	: 1527653/1741588/1784616		
Nissens	: 64067A	Year	2004

IMS 4206

SCANIA	4-SERIES	[MT]	A/P
Core Size	: 860 X 698 X 42mm		
OEM Ref.	: 1365371 /1439504/1516491		
Nissens	: 64068A	Year	1995

IMS 10244

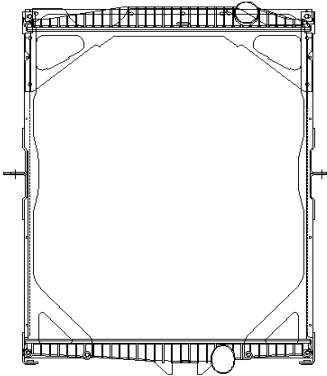
SCANIA	P-SERIES /BUS	[MT]	A/P
Core Size	: 860 X 689 X 40mm		
OEM Ref.	: 1491710/1766125/1770096		
Nissens	: 67259A	Year	2004

IMS 12604-XB

SCANIA	G-SERIES	[MT]	A/P
Core Size	: 1000 X 825 X 42mm		
OEM Ref.	: 2552201 / 2473321 / 2439720 / 2439722		
Nissens	: 606322	Year	2018

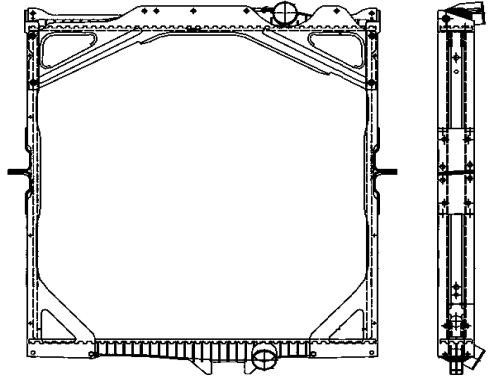
HD TRUCK RADIATORS TO FIT VOLVO MODELS

IMS 2249



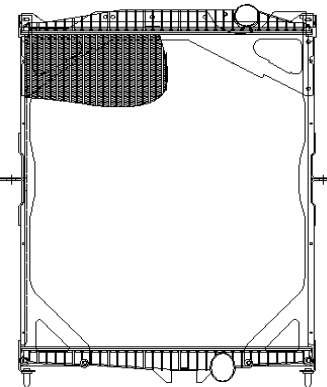
VOLVO	FH-12 / FM-7/ FM-10	[MT]	A/P
Core Size	: 900 X 698 X 48mm		
OEM Ref.	: 8112566/8149681/1665249		
Nissens	: 65463A	Year	1993

IMS 2250



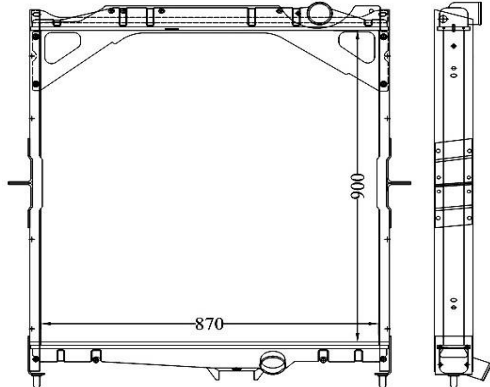
VOLVO	FH-16/ FH-12/ WG	[MT]	A/P
Core Size	: 900 X 868 X 48mm		
OEM Ref.	: 8112961/8149683/1676435		
Nissens	: 65462A	Year	1993

IMS 3220



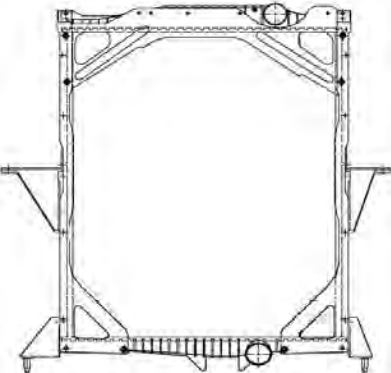
VOLVO	FH-12	[MT]	A/P
Core Size	: 900 X 698 X 48mm		
OEM Ref.	:		
Nissens	: Year		

IMS 3221



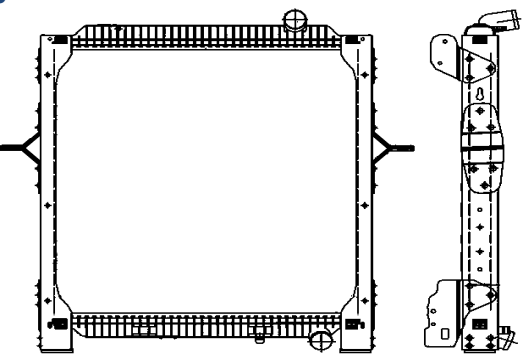
VOLVO	FH-12/ FH-16/ NH-12 / FH 12/16	[MT]	A/P
Core Size	: 900 X 868 X 48mm		
OEM Ref.	: 20482259/20516408/20536915		
Nissens	: 65467A	Year	1999-2002

IMS 3274



VOLVO	FM / FM-12 / FM-9/ FMX	[MT]	A/P
Core Size	: 900 X 698 X 48mm		
OEM Ref.	: 20460178/20517350/20536920		
Nissens	: 65466A	Year	1998-2008

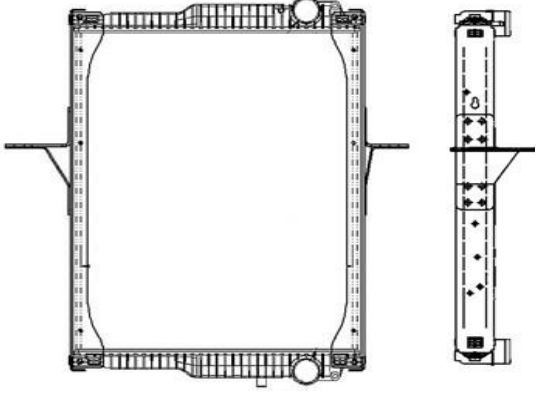
IMS 10240



VOLVO	FE // RENAULT PREMIUM	[MT]	A/P
Core Size	: 705 X 708 X 48mm		
OEM Ref.	: 20810099/50 01 868 514/85000662		
Nissens	: 65476	Year	2005

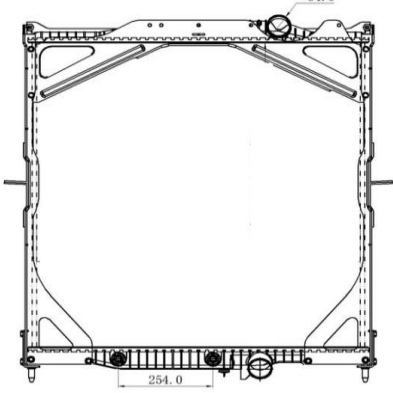
HD TRUCK RADIATORS TO FIT VOLVO MODELS

IMS 10241



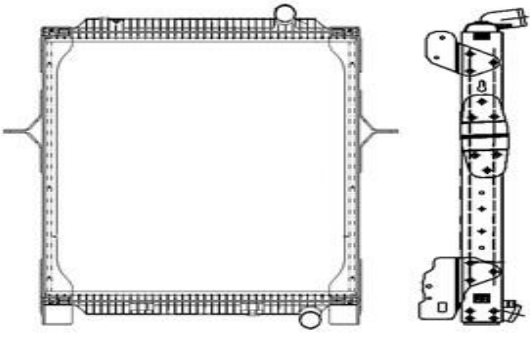
VOLVO	FL II // RENAULT MIDLUM	[MT]	A/P
Core Size	: 710 X 568 X 48mm		
OEM Ref.	: 20810091/74 20 809 775/85000665		
Nissens	: 65475	Year	2006

IMS 10245



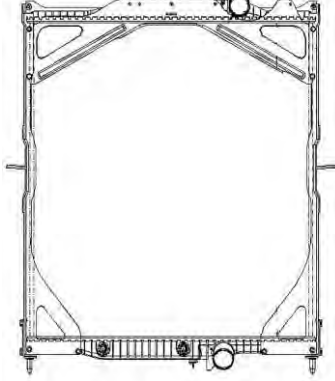
VOLVO	WG	[AT]	A/P
Core Size	: 900 X 868 X 48mm		
OEM Ref.	: 1003579/1050097/20516414		
Nissens	: 65472A	Year	1993

IMS 11251



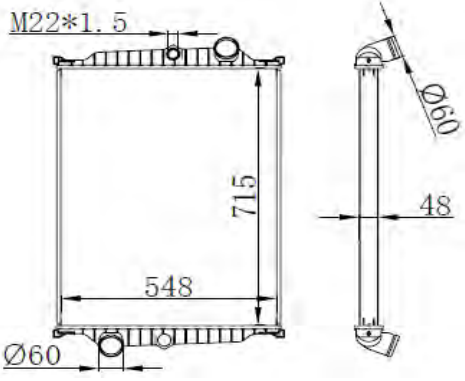
VOLVO	FE // RENAULT PREMIUM	[AT]	A/P
Core Size	: 707 X 700 X 50mm		
OEM Ref.	: 5001868514 /20810099/85000662		
Nissens	: 65476	Year	2006

IMS 11223



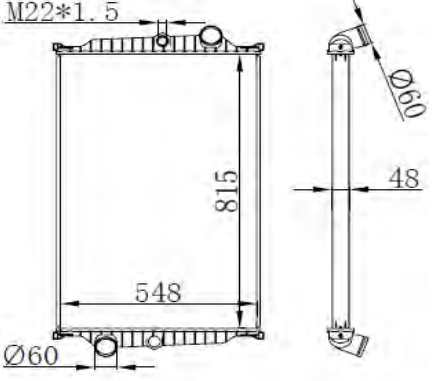
VOLVO	FH / HP / NH	[AT]	A/P
Core Size	: 900 X 889 X 50mm		
OEM Ref.	: 20482259 / 20516408 / 20536915		
Nissens	:	Year	

IMS 11226



VOLVO	FL 6	[MT]	A/P
Core Size	: 715 X 548 X 48mm		
OEM Ref.	:		
Nissens	:	Year	1991-1999

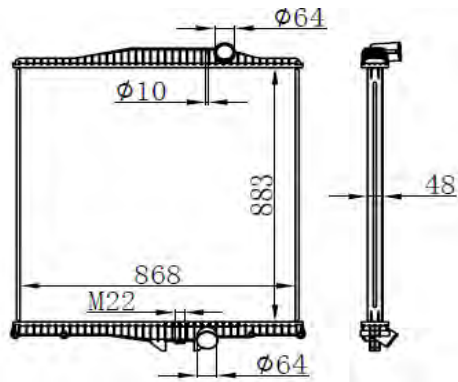
IMS 11227



VOLVO	FL 6	[MT]	A/P
Core Size	: 815 X 548 X 48mm		
OEM Ref.	:		
Nissens	:	Year	1991-1999

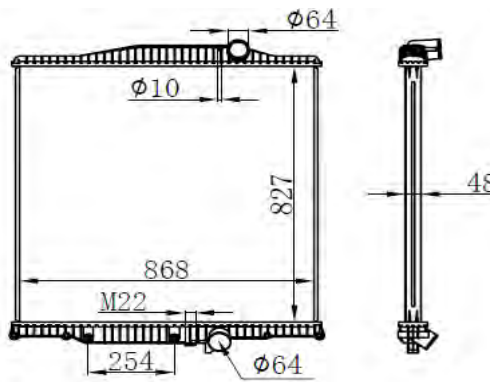
HD TRUCK RADIATORS TO FIT VOLVO MODELS

IMS 11228



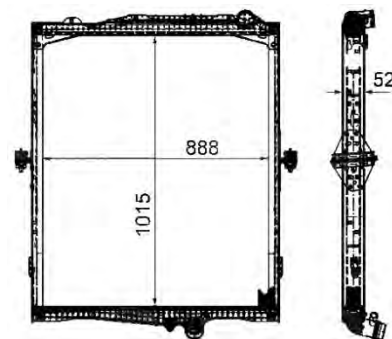
VOLVO	VHP SERIES	[MT]	A/P
Core Size	: 883 X 868 X 48mm		
OEM Ref.	: 1003498/20408582		
Nissens	:	Year	

IMS 11229



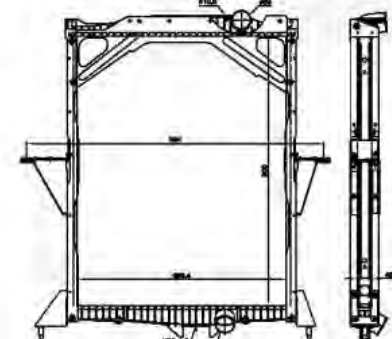
VOLVO	VHP SERIES	[AT]	A/P
Core Size	: 827 X 868 X 48mm		
OEM Ref.	: 1003629/21129530		
Nissens	:	Year	

IMS 12235



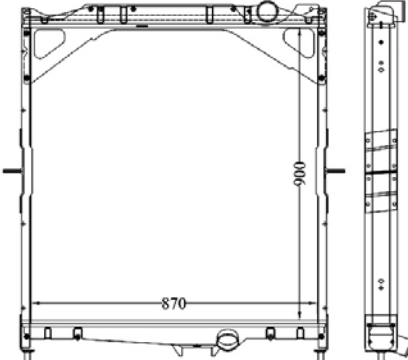
VOLVO	T-SERIES	[MT]	A/P
Core Size	: 1015 X 888 X 52		
Oem Ref.	: 22062259 / 2 116 732 8		
Nissens	:	Year	2013

IMS 12236



Volvo	FM9	[MT]	A/P
Core Size	: 900 X 699 X 48		
Oem Ref	: 22235310		
Nissens	: 65466A	Year	2005

IMS 10255



VOLVO	FH12 380 / 420 / 460 / 500 HP/	[MT]	A/P
Core Size	: 900 X 870 X 48		
Oem Ref.	: 85000325/20482259/20516408 /20536915		
Nissens	: 65467A	Year	2002